

# StepOne Rec Stepper Recl Seat Planet Fitness

SONE03-PF

## Parts Manual

12/6/2022 12:49:29 PM

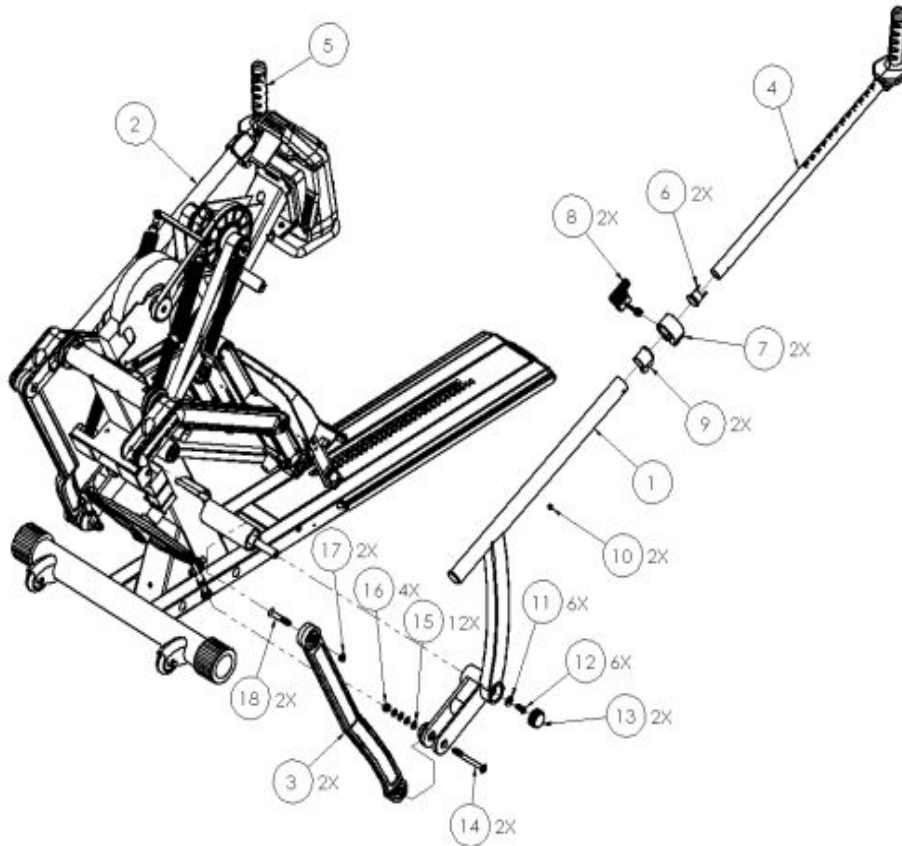


**Table of Contents**

---

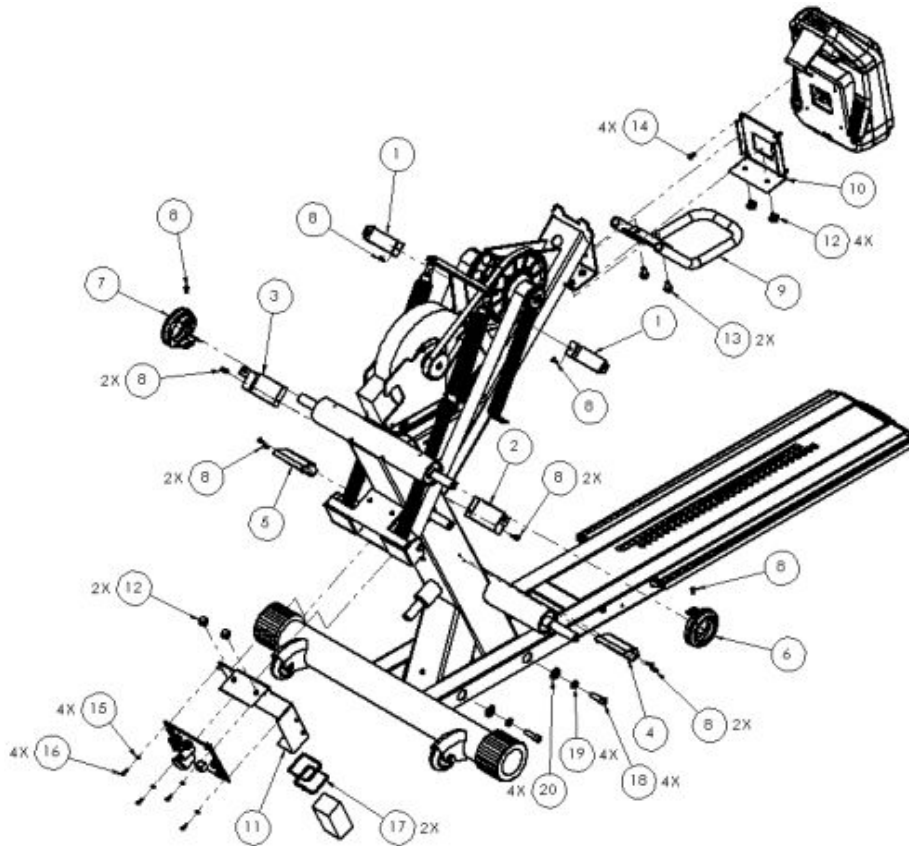
[Arm Handle Assembly](#).....3  
[Brackets Assembly](#).....4  
[Drive System](#).....5  
[Pivot Link Assembly](#).....6  
[Planet Fitness Base Frame Assembly](#).....7  
[Planet Fitness Pedal Arm Links](#).....8  
[Planet Fitness StepOne Wiring Diagram](#).....10  
[Seat, Premium - 151-001669 to CURRENT](#).....11  
[StepOne Planet Fitness Cover Assembly](#).....12

## Arm Handle Assembly



Ref #	Part Number	Qty	Description
1	A5433-PF	1	ASSY, PURPLE, LH, OUTER HANDLE, STEP1, PF
2	A5434-PF	1	ASSY, PURPLE, RH, OUTER HANDLE, STEP1, PF
3	A5352-PF	2	ASSY, PURPLE, LINK, BLADE DRIVE, STEP1, PF
4	A5171	1	ASSY HANDLE LH OVERMOLD STEP 1
5	A5170	1	ASSY HANDLE RH OVERMOLD STEP 1
6	A5134	2	PLUG HANDLEBAR INNER STEP 1
7	A5136	2	CLAMP HANDLEBAR STEP 1
8	A5624	2	Assy Clamp. handle StepOne
9	S5854	1	Kit Handlebar Sleeve 1 pr Step
10	25903	1	3/8"-24 x 1/2" Blk FDP SS
11	33815	6	3/8" Yllw Zinc Hardened F/W
12	94092	6	BHSC 3/8-16 X 1
13	A5435	2	Cap Casting Outer Handle St
14	10537-08048	2	FHSC 7/16-14MM X 4.
15	10537-03641	8	WASHER .75 OD X .45 ID X .063 THK
16	37027	4	NUT:7/16"-14 Zinc Nylon Lock Nut
17	36208	2	7/16-14 JAM NUT
18	94333	2	FHSC 7/16-14 X 2 3/4"

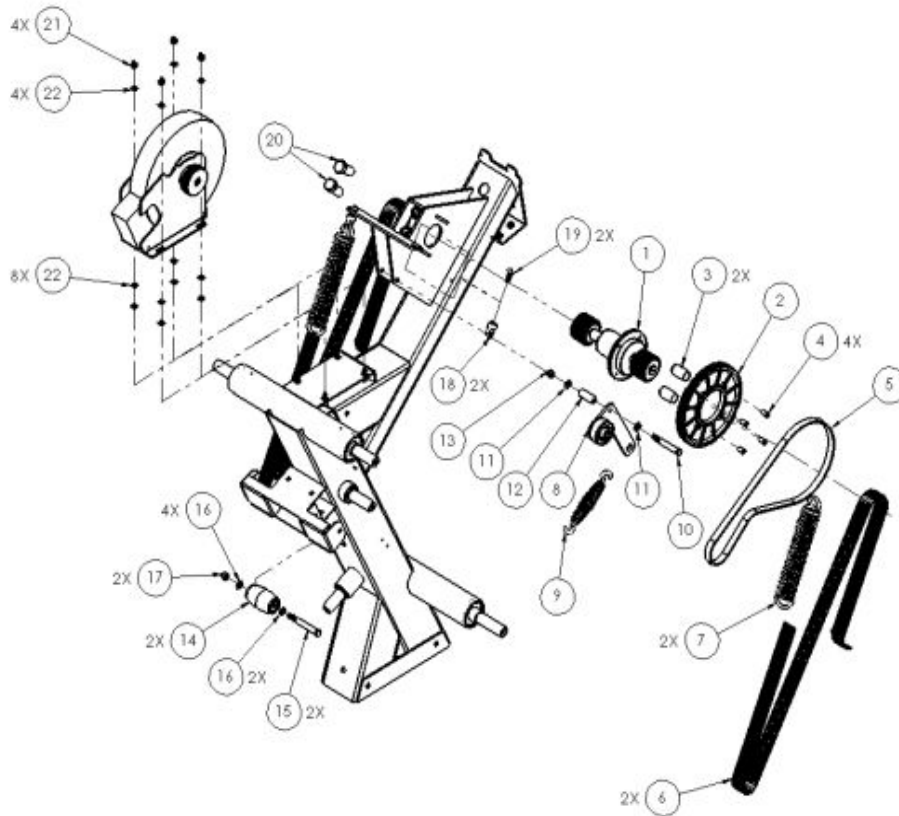
## Brackets Assembly



Ref #	Part Number	Qty	Description
1	A5140	2	BRACKET ENCL UPPR STEP 1
2	A5141	1	BRACKET ENCL MID LH STEP 1
3	A5142	1	BRACKET ENCL MID RH STEP 1
4	A5578	1	ASSY ECL. BRKT LWR LH STEP 1
5	A5577	1	ASSY ECL. BRKT LWR RH STEP 1
6	A5652	1	Assy, Trim, Left, StepOne
7	A5653	1	Assy, Trim, Right, StepOne
8	32316	12	SCR:#8-32 x 1/2" Zinc Phillips PHTCS
9	A5469	1	ASSY ASSIST HANDLE STEP 1
10	A5044	1	BRACKET MOUNT DSPLY STEP 1
11	A5133	1	BRACKET MOUNT PCBA STEP 1
12	19651	2	5/16-18 x 1/2 Zinc FB
13	19653	2	5/16"-18 x 3/4" Flange head hex cap
14	10537-09060	4	Screw M5 x 12mm Phil Black Zinc
15	33733	4	#6 Zinc Finish Ext Tooth L/W
16	28804	4	SCREW 6/32 X 1/2 PHILLIPS HD MACHINE
17	63127	2	11" Cable Tie
18	23307	4	SCR:SCREW, 3/8"-16 X 1-1/4" BLK SCS
19	33893	4	3/8" Yllw Zinc Split L/W
20	33008	4	WASHER FLAT 3/8 ID X 3/4 OD X .06 THK

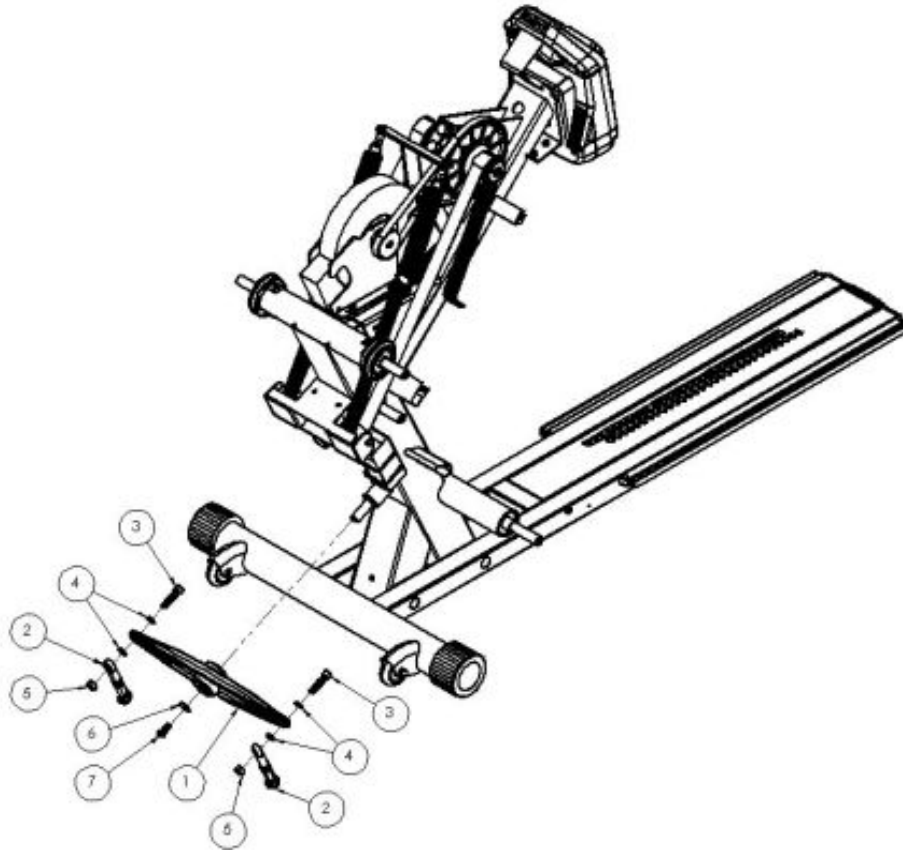


## Drive System



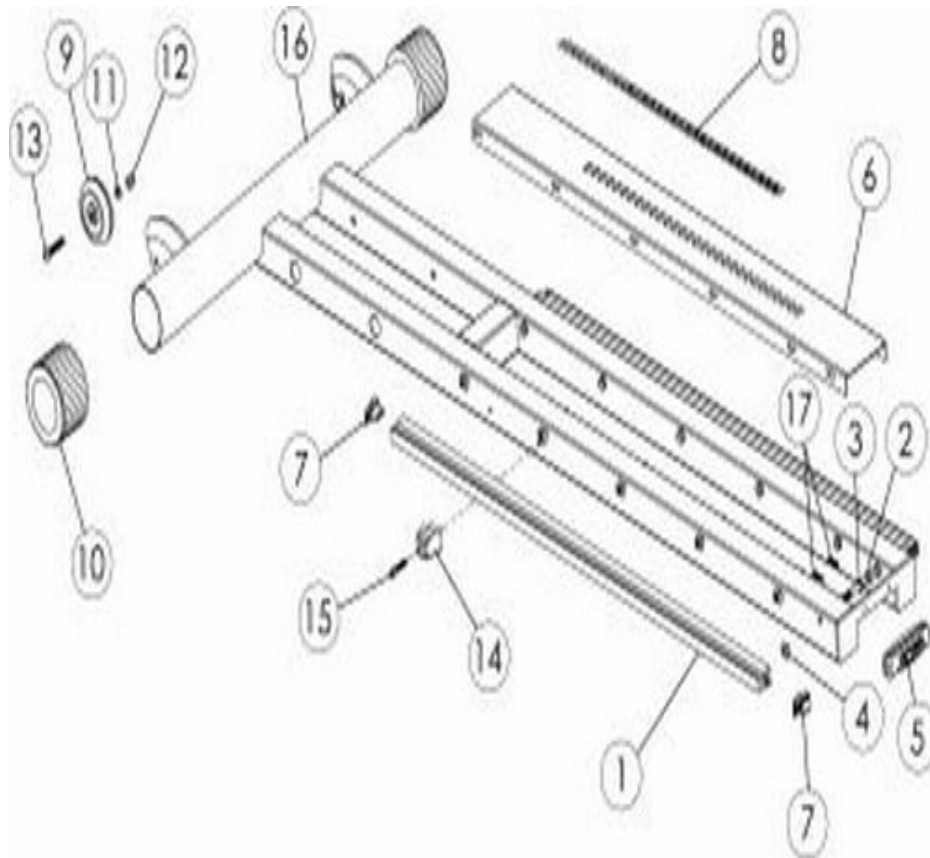
Ref #	Part Number	Qty	Description
1	A4068	1	ASSY AXLE HUB W/ROLLER CLUTC
2	A5165	1	PULLEY LARGE POLY V STEP 1
3	A5185	2	ROLL PIN ALIGNING TC/STEP 1
4	0141378	4	KIT:M5-0.80 x 18mm Zinc FHSCS
5	P5166	1	BELT DRIVE SECONDARY POLY-V
6	A5164	2	ASSY BELT DRIVE PRIMARY STEP 1
7	A5458	2	Spring Tension Pedal Belt Step
8	A5620	1	Assy Idler StepOne
9	P4329	1	Spring Belt Tension Bracket TC
10	13065	1	SCR:5/16"-18 x 3" Zinc HCS
11	33080	2	5/16" Zinc F/W
12	A5845	1	Spacer Idler Bolt StepOne
13	37021	1	NUT NYLOCK 5/16-18
14	S7200	1	KIT:STEP1, PEDAL BELT ROLLERS W/HW
15	38628	2	SCR:M8-1.25 x 90mm Zinc CS
16	40357	4	M8 Zinc F/W
17	40163	2	M8-1.25 DIN 985 Zinc Plated Nylon Insert Lock Nut
18	A4768	2	LINK SPRING RETURN TC1000/1
19	39917	2	SCREW M8-1.25 x 20MM SOCKET BUTTON HD
20	11114268	2	SCR:M16-1.5 x 55mm Zinc CS
21	37018	4	NUT NYLOCK 1/4-20 ZINC
22	40355	12	Washer Flat M6 Zinc

## Pivot Link Assembly



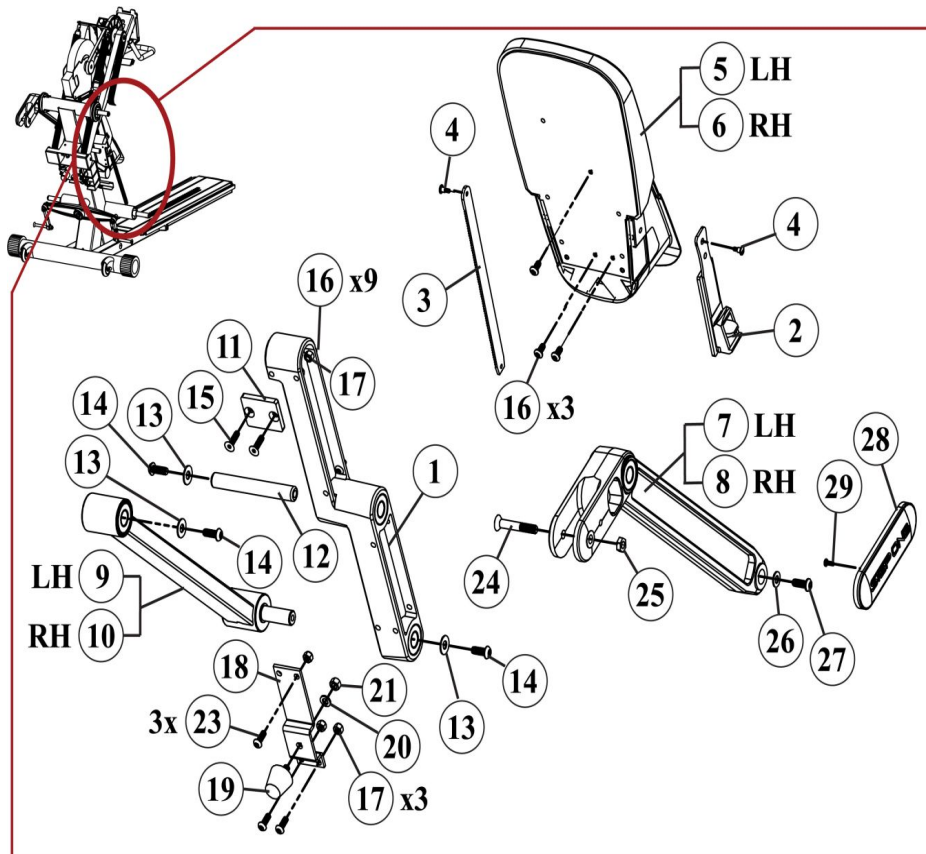
Ref #	Part Number	Qty	Description
1	A5353	1	ASSY PIVOT BLADE STEP1
2	A5474	2	ASSY LINK PIVOT STEP ONE
3	10537-08100	2	7/16-14 X 1 3/4 SHCS BLACK
4	10537-03641	4	WASHER .75 OD X .45 ID X .063 THK
5	37027	2	NUT:7/16"-14 Zinc Nylon Lock Nut
6	10537-08102	5	3/8 USS FW BLACK
7	10537-08099	5	3/8-16 X 1 BSCS BLACK

## Planet Fitness Base Frame Assembly



Ref #	Part Number	Qty	Description
1	A3299	2	Extrusion Rail Roller 37.5" PR
2	13064	12	5/16"-18 x 2-3/4" Zinc HCS
3	33712	12	5/16" Zinc Internal Tooth L/W
4	37622	12	5/16"-18 Zinc Square Nut
5	A5449	1	HANDLE LIFT STEP 1
6	A6507	1	KIT:PAN, STAINLESS, 30 HOLE
7	A5215	4	Endcap Cover Extrusion Rail
8	A6766	1	KIT:DECAL SEAT ADJUSTMEN, 30 HOLE
9	P2144	2	Wheel Front PRO II
10	A1890	2	Cap Base 3" Adj. 65 Durometer
11	33892	2	5/16" Yellow Zinc Split L/W
12	70961	2	5/16"-18 Stnlss Stl Acorn Nut
13	73783	2	5/16"-18 x 1-3/4" Stnlss BSCS
14	A6506	2	KIT:BUMPER, SEAT STOP, COMPLIANCE
15	23807	2	SCR:SCREW, 1/4"-28 x 1-1/4" SCH
16	A5028-PP	1	ASSY, BASE WELDED, PURPLE, STEP1
17	23166	2	#10-32 x 3/4" Blk Oxd SCS
-	A7186-PF	1	ASSY, PURPLE, BASE FRAME, STEP1, PF

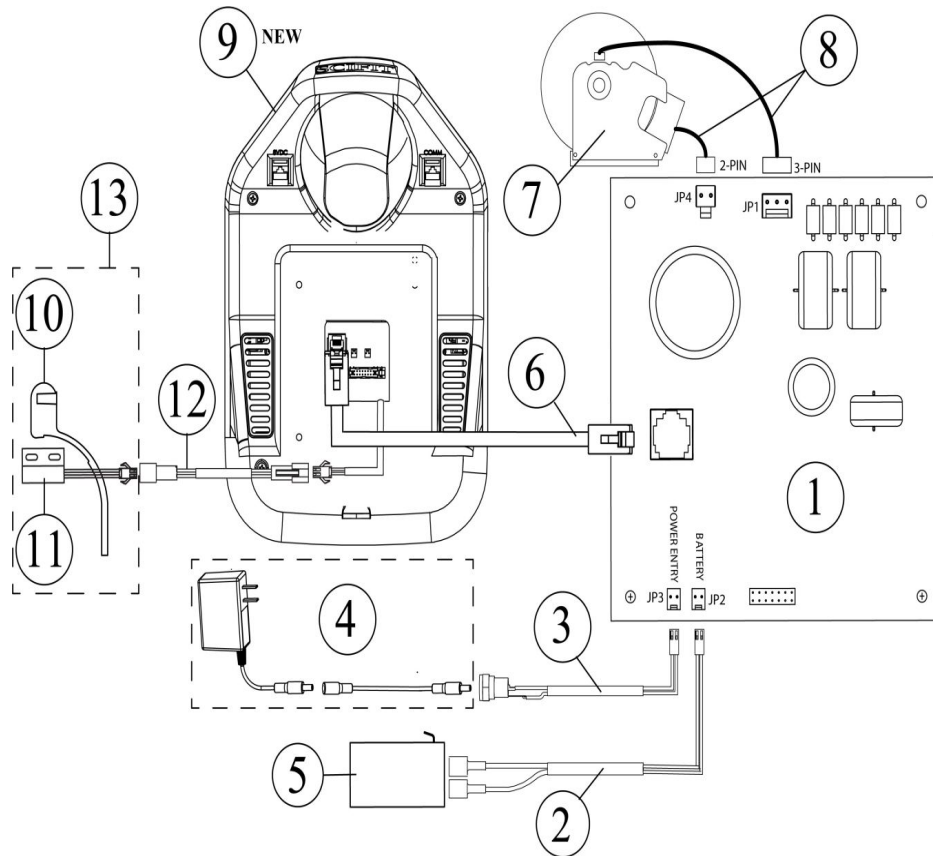
## Planet Fitness Pedal Arm Links



Ref #	Part Number	Qty	Description
1	A5356-PF	1	ASSY, PURPLE, PEDAL ARM, STEP1, PF
2	P5476	2	BUCKLE FOOT STRAP STEP 1
3	P5470	2	FOOT STRAP PEDAL STEP 1
4	11103519	4	#10-24 x 5/16" Zinc TH Mating
5	A5390-PF	1	ASSY, YLW HEEL CUP, LH, FOOTPAD, STEP1, PF
6	A5391-PF	1	ASSY, YLW HEEL CUP, RH, FOOTPAD, STEP1, PF
7	A5354-PF	2	ASSY, PURPLE, LH, LINK, PEDAL DRIVE, STEP1, PF
8	A5355-PF	1	ASSY, PURPLE, RH, LINK, PEDAL DRIVE, STEP1, PF
9	A5394-PP	1	PURPLE, LH, LINK, PEDAL FRAME, STEP1, PF
10	A5395-PP	2	PURPLE, RH, LINK, PEDAL FRAME, STEP1, PF
11	A5130	2	CLAMP BELT DRIVE PRIMARY STEP 1
12	A5419	2	Pedal Link Bolt Step1
13	10537-08102	6	3/8 USS FW BLACK
14	10537-08099	6	3/8-16 X 1 BSCS BLACK
15	10537-08101	4	5/16"-18 x 1-1/8" Blk Znc FSCS
16	10537-08098	12	5/16"-18 x 5/8" Blk Zinc BSCS
17	10537-08103	14	5/16"-18 Blk Zinc Lock Nut
18	A6065-PP	2	BUMPER BRACKET, STEP1, LOWER, PURPLE
19	P2722	2	Stop Bump RST7000
20	33893	2	3/8" Yllw Zinc Split L/W
21	36106	2	3/8"-16 Zinc Hex Nut
23	10537-08842	6	Screw, 5/16-18 x 7/8", BHBZ

Ref #	Part Number	Qty	Description
24	94333	2	FHSC 7/16-14 X 2 3/4"
25	36208	2	7/16-14 JAM NUT
26	33815	4	3/8" Yllw Zinc Hardened F/W
27	94092	4	BHSC 3/8-16 X 1
28	A5027	2	PLATE LOGO LINK STEP 1
29	28957	1	10-32 x 1/2" Zinc PPHMS

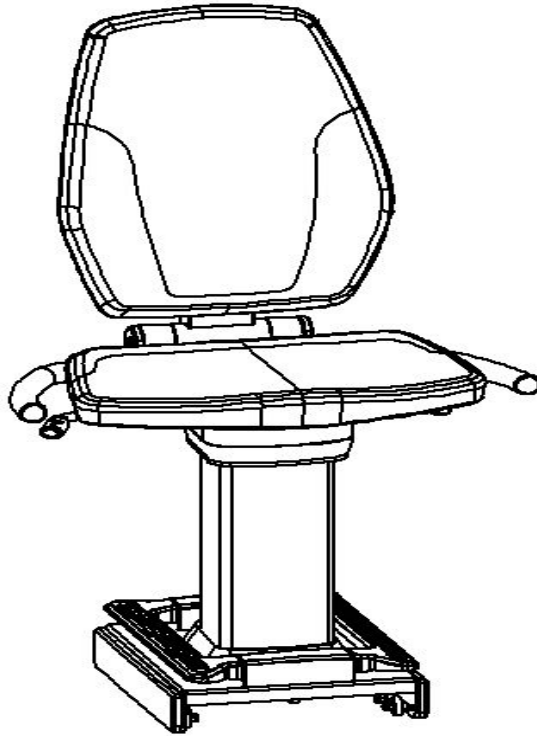
# Planet Fitness StepOne Wiring Diagram



Ref #	Part Number	Qty	Description
1	<b>A5361</b>	1	Kit A5005 W/Mounting Bracket
2	P1833	1	Cable Battery Cordless
3	A5405	1	Cable Power Entry StepOne
4	<b>CORD-NT-DOM-LV</b>	1	LINE CORD DOMESTIC
5	P1564	1	Battery Rechargeable Cordless
6	P4742	1	Cable Comm 63" Intelli ISO1000R/7000R & SXT
7	<b>S3611</b>	1	KIT BRAKE CORDLESS PRO W/O BRA
8	<b>S4454</b>	1	CABLES IND. BRAKE 3 & 2 PIN
9	<b>A6976-PF</b>	1	ASSY, CONSOLE, PF, ROTARY, WIRELESS
10	A6785	1	STEP COUNTER MAGNET HOLDER, STEP1
11	A5410	1	Assy Switch Magnet StepOne
12	A5409	1	Cable Step Counter MID StepOne
13	S6791	1	Assy, Upgrade, StepOne Counter

**Seat, Premium - 151-001669 to CURRENT**

---

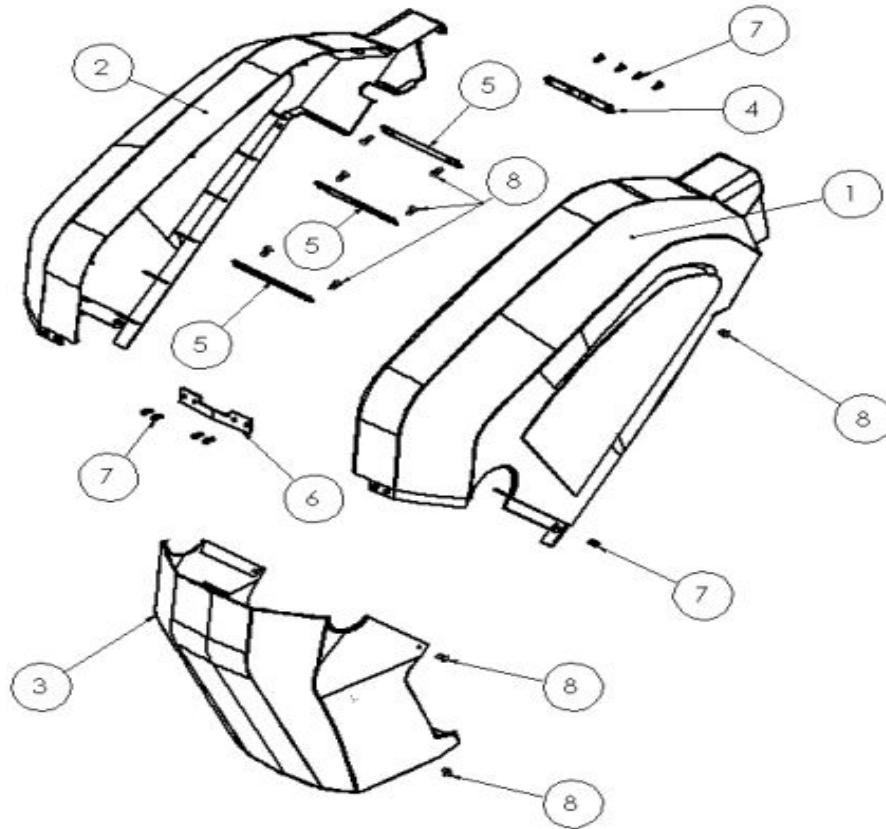


PLEASE SEE: RCLN-SEAT-PF

Ref #	Part Number	Qty	Description
-	RCLN-SEAT-PF	1	SEAT, PF, STND W/RECLINE



## StepOne Planet Fitness Cover Assembly



Ref #	Part Number	Qty	Description
1	A7184-PF	1	ASSY, ENCLOSURE, LH, TOP, CHARCOAL, STEP1, PF
2	A7185-PF	1	ASSY, ENCLOSURE, RH, TOP, CHARCOAL, STEP1, PF
3	A5032	1	ENCLOSURE BOTTOM STEP 1
4	A5161	1	BRACKET ENCLOSURE REAR STEP 1
5	A5167	3	BRACKET ENCLOSURE TIE STEP 1
6	A5162	1	BRACKET ENCLOSURE FRONT STEP 1
7	29467	10	#10-24 x 1/2" Zinc Phillips FHMS
8	28957	12	10-32 x 1/2" Zinc PPHMS

